

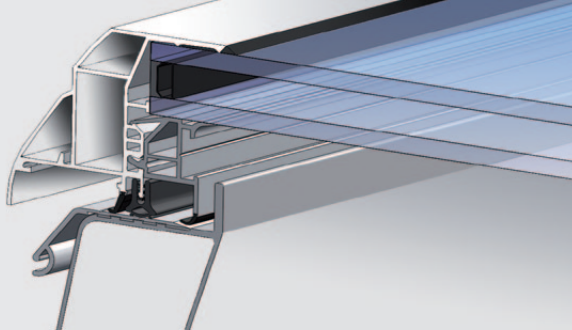


LAMILUX
GLASSYSTEME

CI System Glass Element *F100*

Technology and design for the future of construction





Crystal-clear advantage



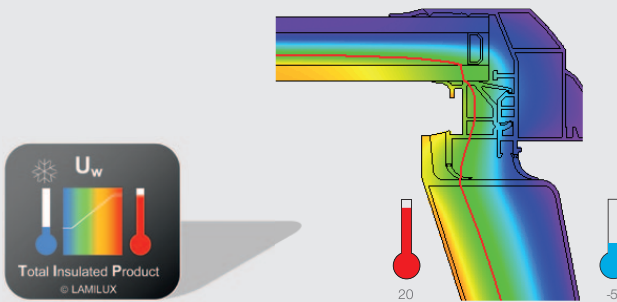
LAMILUX CI System G

Rooms lit by ample daylight - Natural light intake ensures a increased motivation, greater enjoyment of life.

guidelines

- The glazing consists of **compact, energy-efficient heat protection insulation glazing** with a thermally decoupled edge bond.
- This daylight element is **free of thermal bridges** and features a **staggered, triple seal layer**.
- The upstand (the daylight element's substructure) has a continuous **thermal insulation core**, 60 mm thick.

Isothermal line in a CI System Glass Element F100



Info: isothermal lines are a series of points featuring the same temperature (red line in the diagram), which reveal a gaugeable customer benefit. **Optimum distribution of the 10° isothermal line** ensures a noticeable reduction in the risk of condensation on the interior of the overall structure when temperatures are low outside.

Upstand:

Heat insulation:

U_f value 0.5 W/(m²K)

Pitch roof geometry with 5° inclination
Standard height: 40 cm

Total U value consists of U_w for the upper section and takes into account the installation location and the U_f value of Upstand K 40 with 5° pitch roof geometry

Profile system:

Heat insulation:

U_f value 0.76 W/(m²K)

Top roof edge in cm

120 / 120 0.72 W/(m²K)

100 / 100 0.68 W/(m²K)

90 / 120 0.69 W/(m²K)

Glazing:

Heat insulation:

U_g value 1.1 W/(m²K)

Energy admission g: 56 %
Light transmission LT: 78 %
Sound insulation R_wp: 38 dB

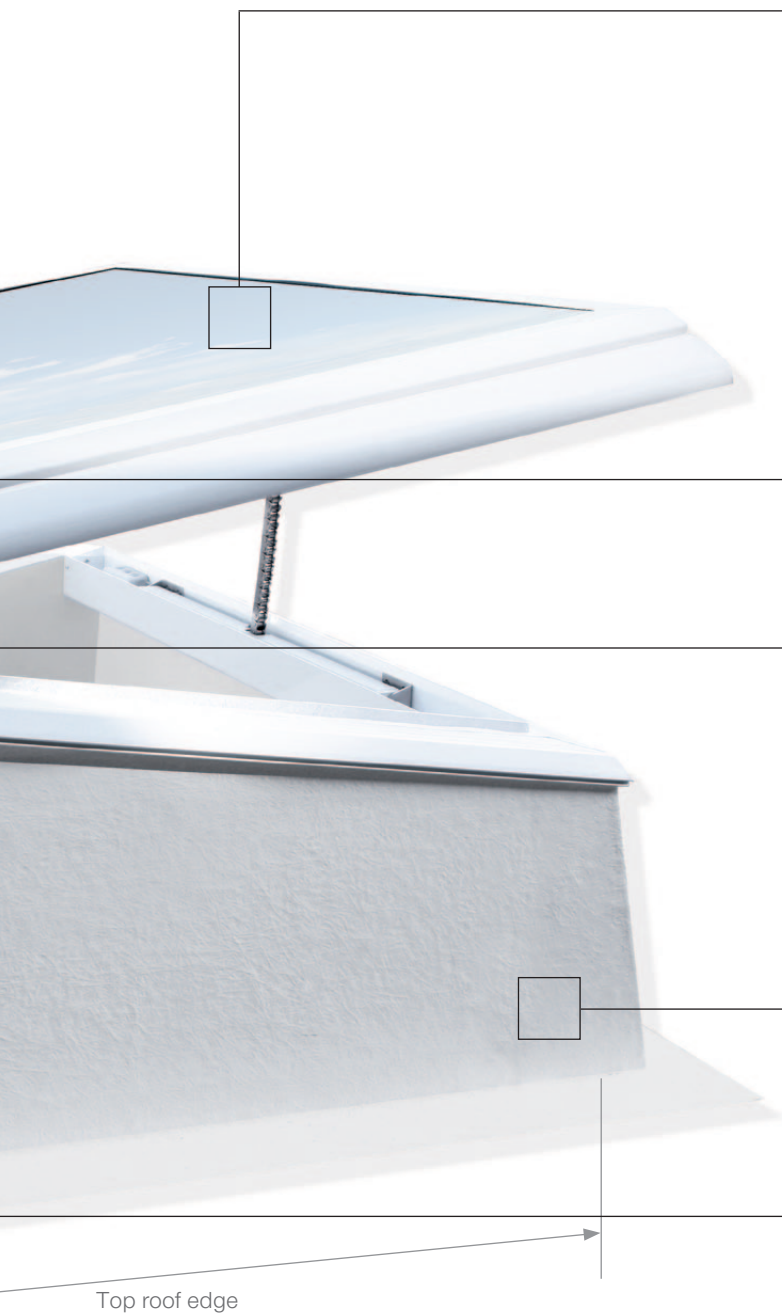
90 / 90 0.65 W/(m²K)

80 / 80 0.62 W/(m²K)



Glass Element *F100*

positive atmosphere,



Scratchproof glazing

- Compact, energy-efficient heat protection insulation glazing fitted into 5° self-cleaning roof pitch. Consisting of a 6 mm-thick outer pane made of special, **scratchproof** glass with low-E coating (low emissivity), a thermally decoupled edge bond, a 16 mm spacer with an argon-gas fill and a 8 mm-thick laminated safety glass section with dual, highly transparent, highly tear-resistant, laminated safety foil made of polyvinyl butyral (PVB), 0.76 mm thick.
- The glazing is certified as permanently **fall through-proof** according to German building guidelines (GSBAU 18).

Full protection against infiltration and soiling of the air spaces in the glazing section

- **CI System Glass Element F100** does not require any extra, dome-shaped composite glazing above the insulation glazing.

Stability and safety

- The surrounding frame features a partial **long-fibre reinforcement in its profiles**.

Self-cleaning thanks to 5° pitch roof



- Thanks to the 5° pitch in the upper glass section of the daylight system, effluent rainwater produces a self-cleaning effect.

Upstand without joints

- Made of **high-strength, fibre-reinforced composite**, the upstand is manufactured as a **compact structure**.

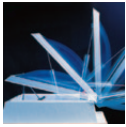
Fully pre-assembled at factory + Intelligent mounting technology

- **Quick and easy to fit:** the daylight system is delivered as a **fully pre-assembled** unit
- There are **numerous components you can use to mount the structure to the roof** (prefabricated collars for foil connection, hard PVC connecting rail, heat-insulated base flange and other systems).
- The technical conception of the upstand limits fire spread on the roof.

Accessories:

- Opening drive units: hidden 230 V chain drive (lifting height 250 to 400 mm) or 230 V spindle drive (lifting height 300 mm)
- Small space ventilator (integrated into the upstand)
- Shade system (integrated into the upstand)
- Remote control
- Rain sensor
- Ventilation control unit LAMILUX CI Control eVent

LAMILUX CI-SYSTEME



ROOFLIGHT DOME F100



CONTINUOUS ROOFLIGHT B



LIGHT PANEL



GLASS ARCHITECTURE KWS 60 / M



SHEV CONTROL TECHNOLOGY



FRESH AIR SUPPLY DEVICES



GLASS ARCHITECTURE F



CONTINUOUS ROOFLIGHT S



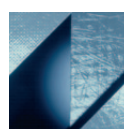
BUILDING UPGRADES



SMOKE AND HEAT EXHAUST
VENTILATION SYSTEMS



PHOTOVOLTAICS



FIBRE-REINFORCED
COMPOSITES

The technical data printed in this brochure was accurate when this brochure went to press and is subject to change without notice. Our technical specifications are based on calculations and supplier specifications, or have been determined by independent testing authorities within the scope of applicable standards.

Thermal transmission coefficients for our composite glazing were calculated using the finite element method with reference values in accordance with EN 673 for insulated glass. The temperature difference between the outer surfaces of materials was defined based on empirical values and the specific characteristics of the composites. Functional values refer to test specimens and the dimensions used in testing only. We cannot provide any further guarantees for technical values. This particularly applies to changes in installation locations, or if dimensions are re-measured on site.



HEINRICH STRUNZ GMBH

Zehstraße 2 · POB 1540 · 95111 Rehau/Germany · Tel.: +49/(0)92 83/5 95-0 · Fax: +49/(0)92 83/5 95-29 0

E-Mail: information@lamilux.de · www.lamilux.com

